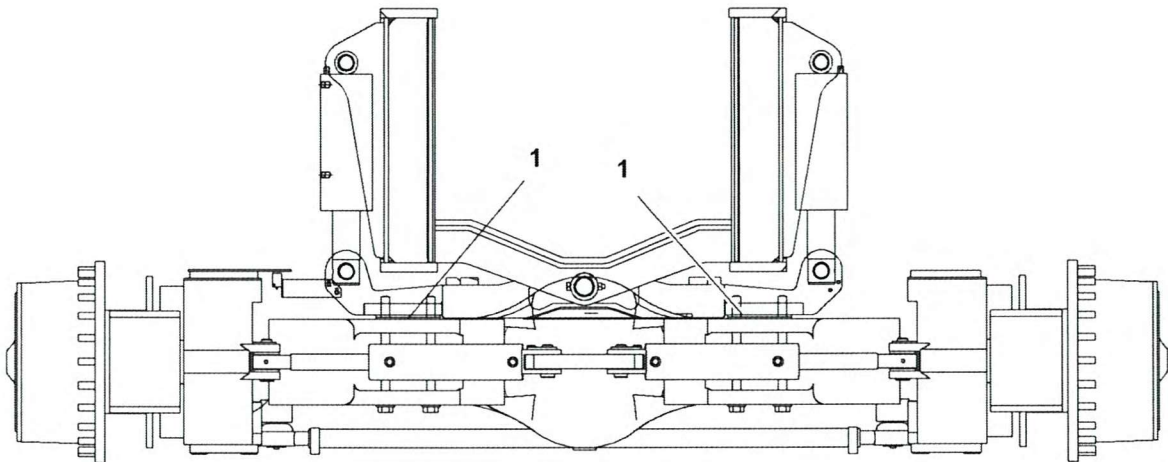


**ENGINE REAR MOUNT**  
TYPICAL BOTH SIDES OF ENGINE/FRAME



**REAR AXLE**